



**MODEL** KAWASAKI Z900  
KAWASAKI Z900 A2 (35 kW / 70 kW)

**YEAR** 2017 - 2019  
2017 -->

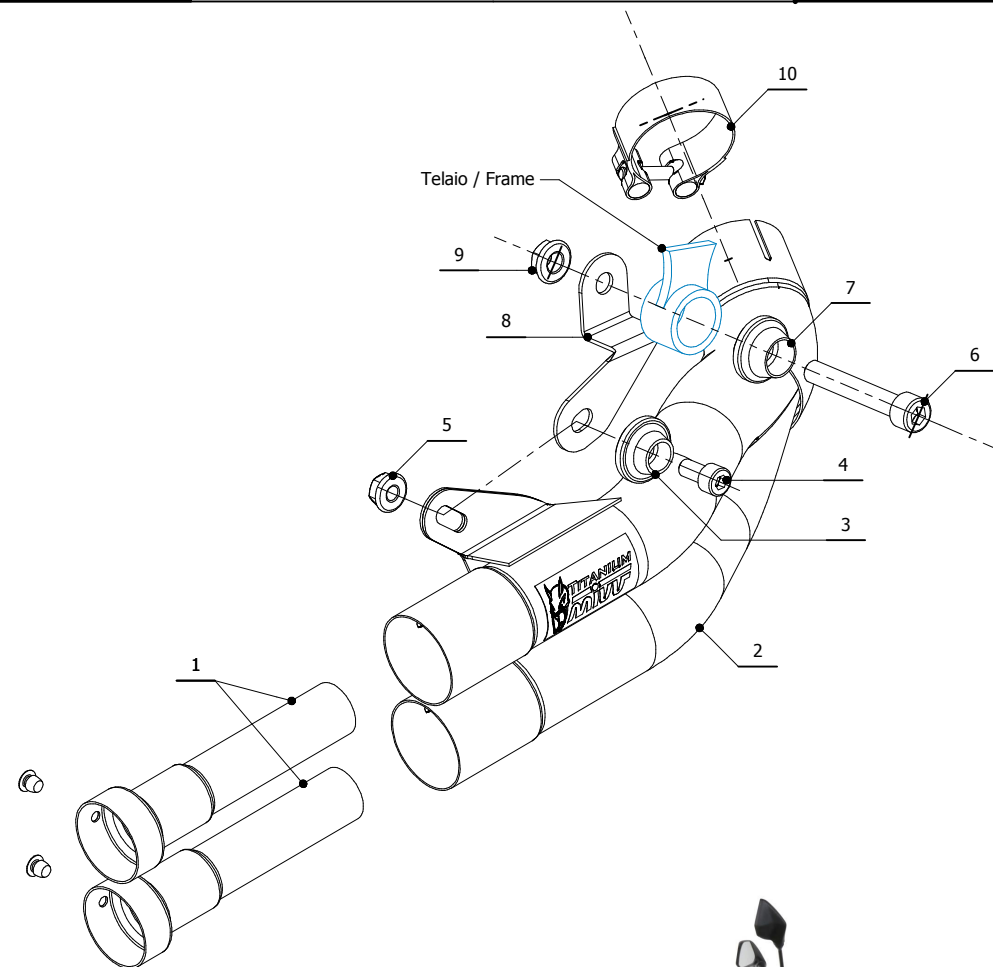
**SCHEMATIC**

**LINE** SLIP ON

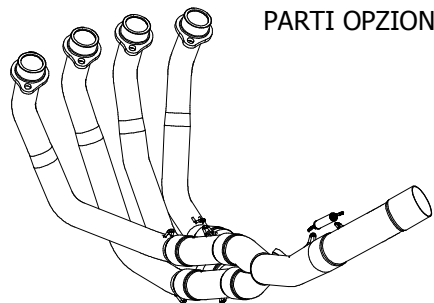
**MUFFLER** DOUBLE GUN

**ELENCO PARTI / PARTS LIST**

#	QTÀ / QTY	DESCRIZIONE / DESCRIPTION	CODICE / CODE
1	2	DB killer / DB killer	50.DK.059.0
2	1	Silenziatore / Muffler	DOUBLE GUN
3	1	Rondella in alluminio nera M8 / Black aluminium washer M8	50.73.221.1
4	1	Vite M8x16 / Screw M8x16	50.73.575.1
5	1	Dado M8 flangiato / Flanged nut M8	50.73.393.1
6	1	Vite M10x60 / Screw M10x60	50.73.135.1
7	1	Rondella in alluminio nera M10 / Black aluminium washer M10	50.73.330.1
8	1	Staffa / Bracket	50.SS.991.0
9	1	Dado M10 flangiato / Flanged nut M10	50.73.332.1
10	1	Fascetta Ø 48/51 mm / Pipe clamp Ø 48/51 mm	50.FA.007.1



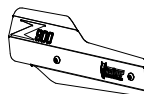
**PARTI OPZIONALI / OPTIONAL PARTS**



IMPIANTO ELIMINA KAT / NO KAT PIPE

**00.73.K.045.C1**  
for Z900 2017-2019

**00.73.K.045.C2**  
for Z900 A2 (35 kW / 70 kW) 2017-->



COVER IN ACCIAIO / STEEL COVER  
**50.CR.037.0**

**APPLICAZIONI / APPLICATIONS**

CODICE / CODE	SILENZIATORE / MUFFLER
K.045.LDG	TITANIO / TITANIUM
K.045.LDGB	INOX BLACK / BLACK ST. STEEL

