



MODEL BMW R 1150 GS / ADVENTURE

YEAR 1999-2003

LINE SLIP ON

MUFFLER OVAL CARBON CAP

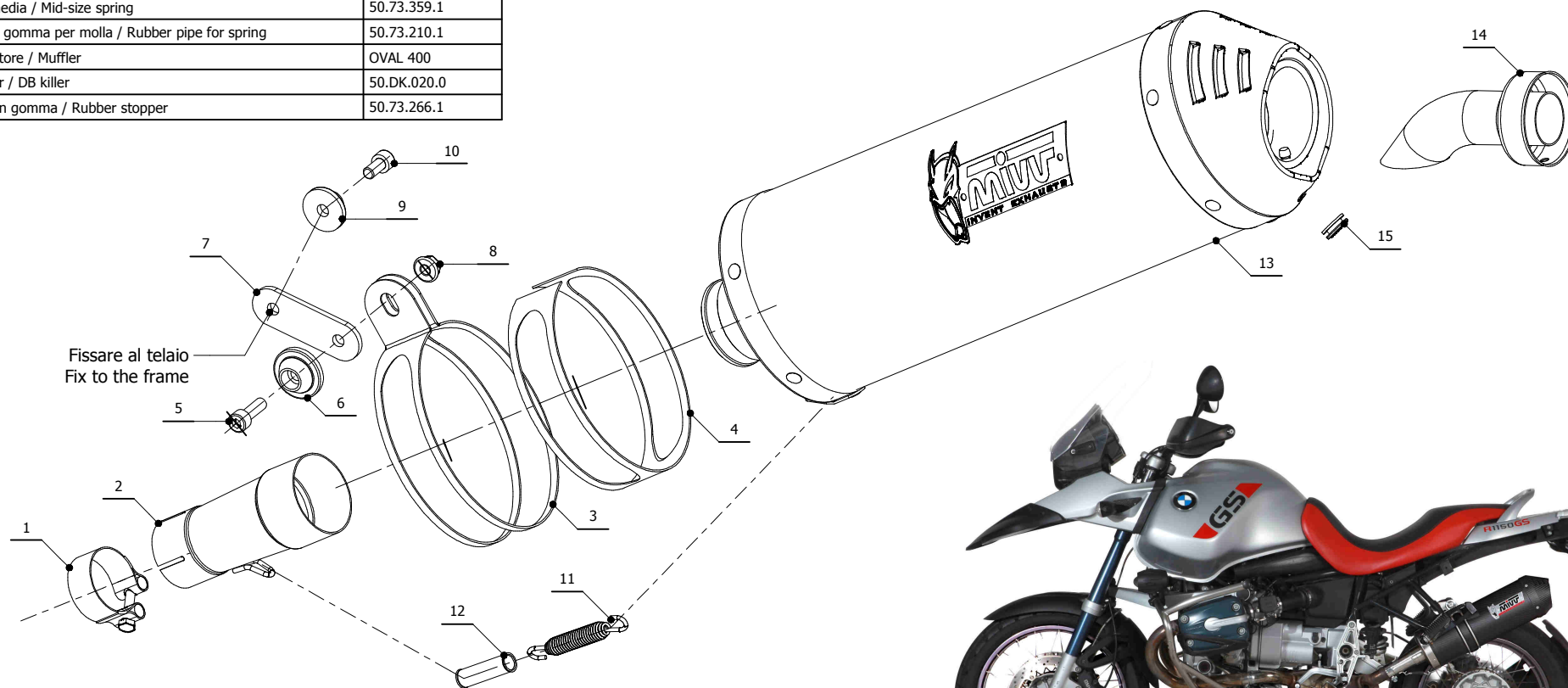
SCHEMATIC

ELENCO PARTI / PARTS LIST

| # | QTÀ / QTY | DESCRIZIONE / DESCRIPTION | CODICE / CODE |
|----|-----------|--|---------------|
| 1 | 1 | Fascetta Ø 44/47 mm / Pipe clamp Ø 44/47 mm | 50.FA.006.1 |
| 2 | 1 | Tubo di raccordo / Link pipe | 9773B015SE |
| 3 | 1 | Staffa / Bracket | 50.SS.002.0 |
| 4 | 1 | Protezione in gomma per staffa / Rubber protection for bracket | 50.73.041.1 |
| 5 | 1 | Vite M8x25 / Screw M8x25 | 50.73.064.1 |
| 6 | 1 | Rondella in alluminio / Aluminium washer | 50.73.063.1 |
| 7 | 1 | Staffa / Bracket | 50.SS.643.0 |
| 8 | 1 | Dado M8 flangiato / Flanged nut M8 | 50.73.393.1 |
| 9 | 1 | Rondella alluminio / Aluminium washer | 50.73.291.1 |
| 10 | 1 | Vite M8x16 / Screw M8x16 | 50.73.575.1 |
| 11 | 1 | Molla media / Mid-size spring | 50.73.359.1 |
| 12 | 1 | Tubo in gomma per molla / Rubber pipe for spring | 50.73.210.1 |
| 13 | 1 | Silenziatore / Muffler | OVAL 400 |
| 14 | 1 | DB killer / DB killer | 50.DK.020.0 |
| 15 | 1 | Tappo in gomma / Rubber stopper | 50.73.266.1 |



**OPTIONAL PARTS
B.015.C1 - NO KAT PIPE**



APPLICAZIONI / APPLICATIONS

| CODICE / CODE | SILENZIATORE / MUFFLER | TUBO / PIPE | FASCETTA / CLAMP |
|---------------|--|-----------------|------------------|
| B.015.LEC | CARBONIO (COPPA CARBONIO) / CARBON (CARBON CAP) | INOX / ST.STEEL | INOX / ST.STEEL |
| B.015.LNC | TITANIO (COPPA CARBONIO) / TITANIUM (CARBON CAP) | INOX / ST.STEEL | INOX / ST.STEEL |