

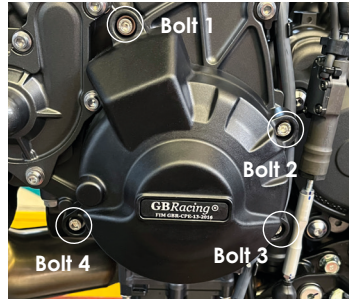
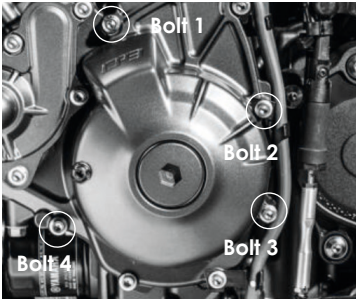
**THIS SHEET INCLUDES FITTING INSTRUCTIONS FOR THE FOLLOWING PARTS:**

Secondary Alternator Cover Part No. EC-MT09-2021-1-GBR / Secondary Clutch Cover Part No. EC-MT09-2021-2-GBR /  
Secondary Pulse Cover Part No. EC-MT09-2021-3-GBR / Secondary Water Pump Cover Part No. EC-MT09-2021-5-GBR  
Paddock Stand / Bobbin Kit Part No. BA12-6-GBR-SET



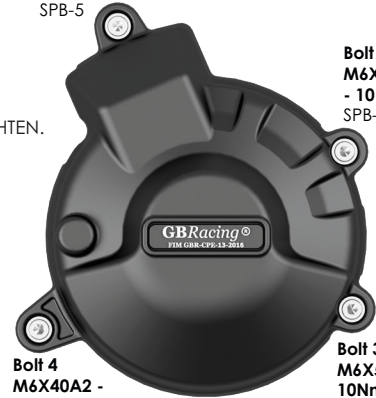
**SECONDARY ALTERNATOR COVER – PART NO. EC-MT09-2021-1-GBR**

- 1 Remove 4 existing bolts from the stock Alternator cover, shown as position Bolts 1, 2, 3 & 4.
- 3 Place the Secondary Alternator Cover over the stock cover.
- 4 Assemble 4 replacement bolts loosely in the correct position as shown.
- 5 Tighten bolts to a Torque of 10Nm as per Manufacturer's recommendations. **DO NOT OVERTIGHTEN.**



**Bolt 1**  
M6X40A2 - 10Nm  
SPB-5

**Bolt 2**  
M6X55A2  
- 10Nm  
SPB-5



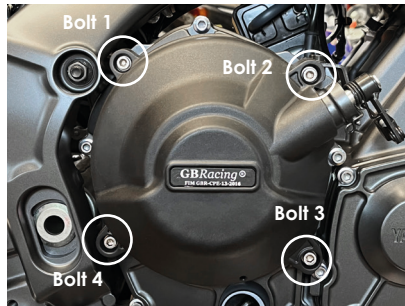
**Bolt 4**  
M6X40A2 -  
10Nm  
SPB-5

**Bolt 3**  
M6X55A2 -  
10Nm  
SPB-5

**SECONDARY CLUTCH COVER – PART NO. EC-MT09-2021-2-GBR**

- 1 Please remove plastic dust cover before fitting the GBRacing cover – remove the bolts from the plastic dust cover. Put the left and top bolts back in their original locations (minus dust cover) See **Fig.1**.
- 2 Remove 4 existing bolts from the stock clutch cover, shown as position Bolts 1, 2, 3 & 4.
- 3 Place the Secondary Clutch Cover over the stock cover.
- 4 Assemble 4 replacement bolts loosely in the correct position as shown.
- 5 Tighten bolts to a Torque of 10Nm as per Manufacturer's recommendations. **DO NOT OVERTIGHTEN.**

**Fig 1**



**Bolt 1**  
M6X45A2  
- 10Nm  
SPB-7

**Bolt 2**  
M6X45A2 -  
10Nm  
SPB-7

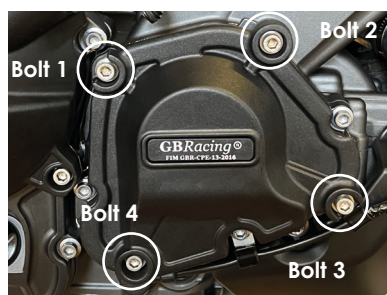
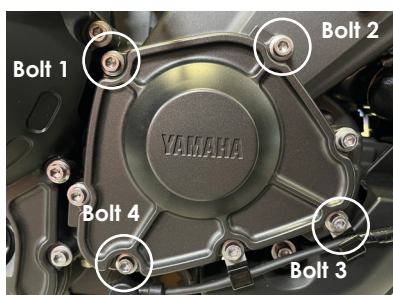


**Bolt 4**  
M6X45A2 - 10Nm  
SPB-7

**Bolt 3**  
M6X45A2  
- 10Nm  
SPB-7

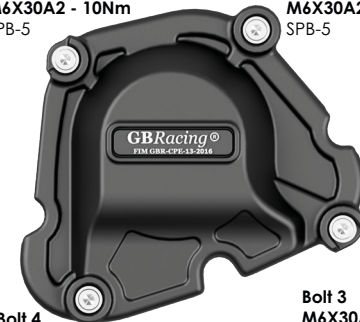
**SECONDARY PULSE COVER – PART NO. EC-MT09-2021-3-GBR**

- 1 Remove the 4 standard bolts
- 2 Place the secondary pulse cover against the standard cover using the 4 supplied bolts.
- 3 Tighten all 4 bolts to 10nm as per manufacturer's recommendations **DO NOT OVERTIGHTEN**



**Bolt 1**  
M6X30A2 - 10Nm  
SPB-5

**Bolt 2**  
M6X30A2 - 10Nm  
SPB-5



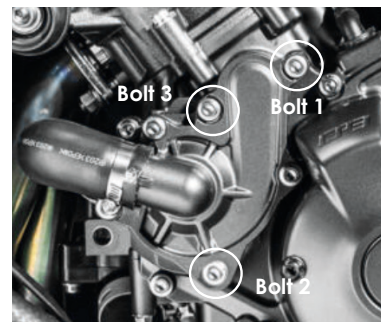
**Bolt 4**  
M6X30A2 - 10Nm  
SPB-5

**Bolt 3**  
M6X30A2 - 10Nm  
SPB-5

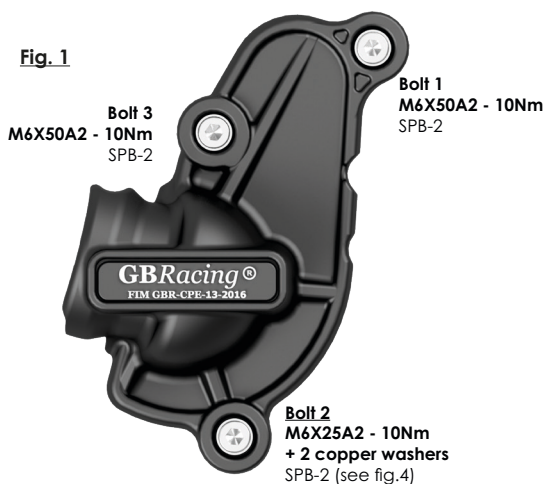


**SECONDARY WATER PUMP COVER PART NO. EC-MT09-2021-5-GBR**

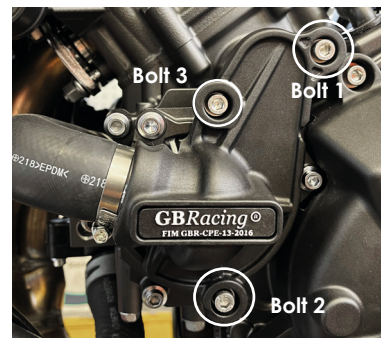
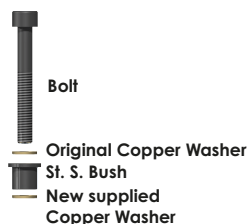
- 1 Fitting requires a **COLD** engine.
- 2 Ensure radiator cap is firmly on. Do not loosen.
- 3 Remove Bolt 1 & 3 before removing Bolt 2. Once bolt 2 is removed you will lose approx 6 drops of coolant and it will not drip anymore. Follow **Fig 2.** to make sure that the supplied copper washers are in the correct positions.
- 4 Insert **Bolt 2** with the washers into correct hole and hand-tighten - See **Fig 1.**
- 5 Then insert Bolts 1 & 3 and tighten to correct torque setting 10Nm. **DO NOT OVERTIGHTEN**
- 6 Check the water level as per the manufacturer's recommendations.



**Fig. 1**



**Fig. 2**



**PADDOCK STAND / BOBBIN SET - PART NO. BA12-6-GBR-SET**

- 1 Assemble M6 x 40mm Bolt & M6 Washer fthrough the moulded bobbin.
- 2 Tighten bolts to swing arm boss. 8 Nm.  
**DO NOT OVERTIGHTEN**

1 x M6 Bolt

Washer



1 x Moulded Paddock Stand / Bobbin

[www.GBRacing.eu](http://www.GBRacing.eu)

SET:

**Engine Cover Set: EC-MT09-2021-SET-GBR**

Secondary Alternator Cover Part No. EC-MT09-2021-1-GBR / Secondary Clutch Cover Part No. EC-MT09-2021-2-GBR /

Secondary Pulse Cover Part No. EC-MT09-2021-3-GBR / Secondary Water Pump Cover Part No. EC-MT09-2021-5-GBR

**DO NOT use these products unless you agree to our Terms & Conditions, as shown on our paperwork and website. If you do not agree, please return the product(s) to your dealer for a refund.**