

## ASSEMBLY INSTRUCTION

### CRASH PAD KIT HONDA CB650-R '19

HN6101-19

[WWW.BARRACUDAMOTO.COM](http://WWW.BARRACUDAMOTO.COM)

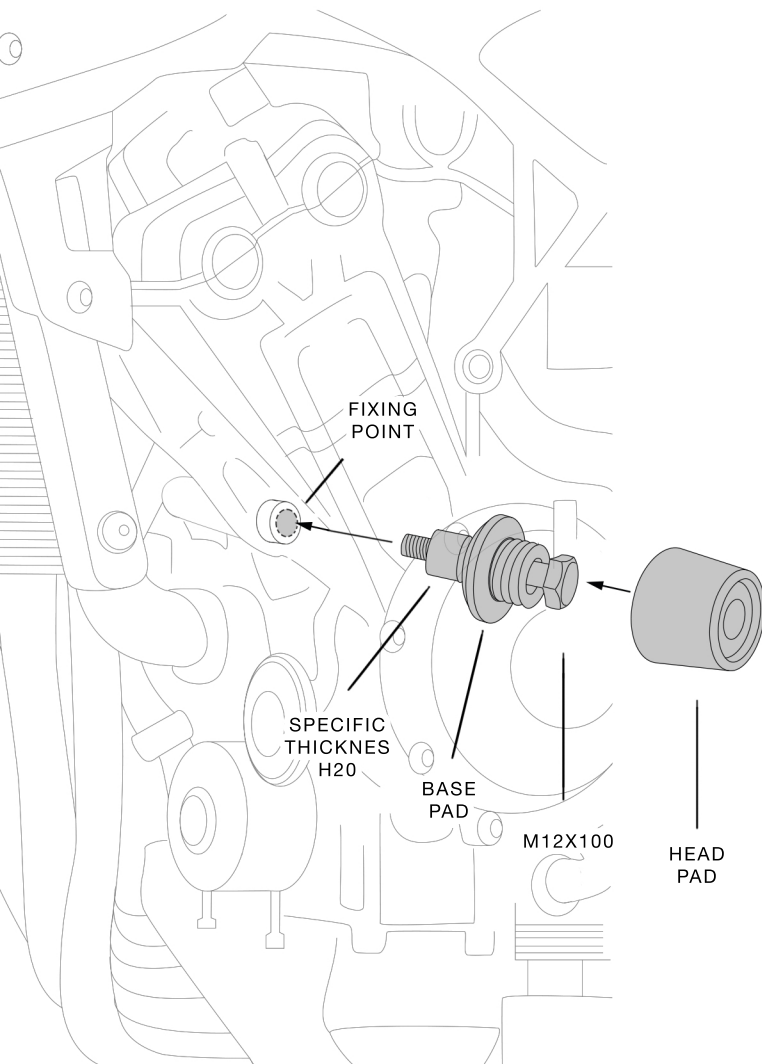
#### KIT

X2. HEAD PAD  
X2. BASE PAD  
X1. SPECIFIC THICKNESS Ø12/H20  
X1. SPECIFIC THICKNESS Ø12/H30  
X1. M12X100 ALLEN SCREW  
X1. M12X90 ALLEN SCREW

#### ASSEMBLY PROCEDURE:

1. UNSCREW THE BOLTS HIGHLIGHTED IN THE ILLUSTRATION THAT FIX THE ENGINE TO THE FRAME.
2. ASSEMBLE THE RIGHT AND LEFT PAD KIT, AS IT SHOWN.
3. TIGHTEN THE M12 BOLTS AND TIGHT HEAD PADS TO THE PAD BASEMENT.

LEFT SIDE



RIGHT SIDE

