



MODEL KAWASAKI Z900
KAWASAKI Z900 A2 (70KW)

LINE SLIP ON

YEAR 2017 - 2019
2017 -->

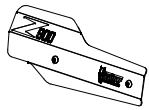
MUFFLER MK3

SCHEMATIC

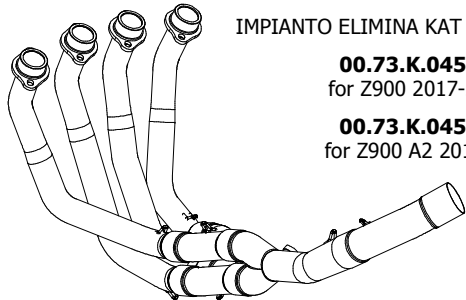
ELENCO PARTI / PARTS LIST

#	QTÀ / QTY	DESCRIZIONE / DESCRIPTION	CODICE / CODE
1	1	Silenziatore / Muffler	MK3 Øi 55
2	1	Staffa / Bracket	50.SS.1117.0
3	2	Rondella di sicurezza / Safety washer	50.73.604.1
4	2	Vite M8 x 16 / Screw M8 x 16	50.73.098.1
5	1	Dado M10 flangiato / Flanged nut M10	50.73.332.1
6	1	Rondella in alluminio nera / Black aluminium washer	50.73.330.1
7	1	Vite M10x60 / Screw M10x60	50.73.135.1
8	1	Molla lunga / Long spring	50.71.080.1
9	1	Tubo in gomma per molla / Rubber pipe for spring	50.73.210.1
10	1	Tubo di raccordo / Link pipe	9773K045S2
11	1	Fascetta Ø 48/51 mm / Pipe clamp Ø 48/51 mm	50.FA.007.1

PARTI OPZIONALI / OPTIONAL PARTS



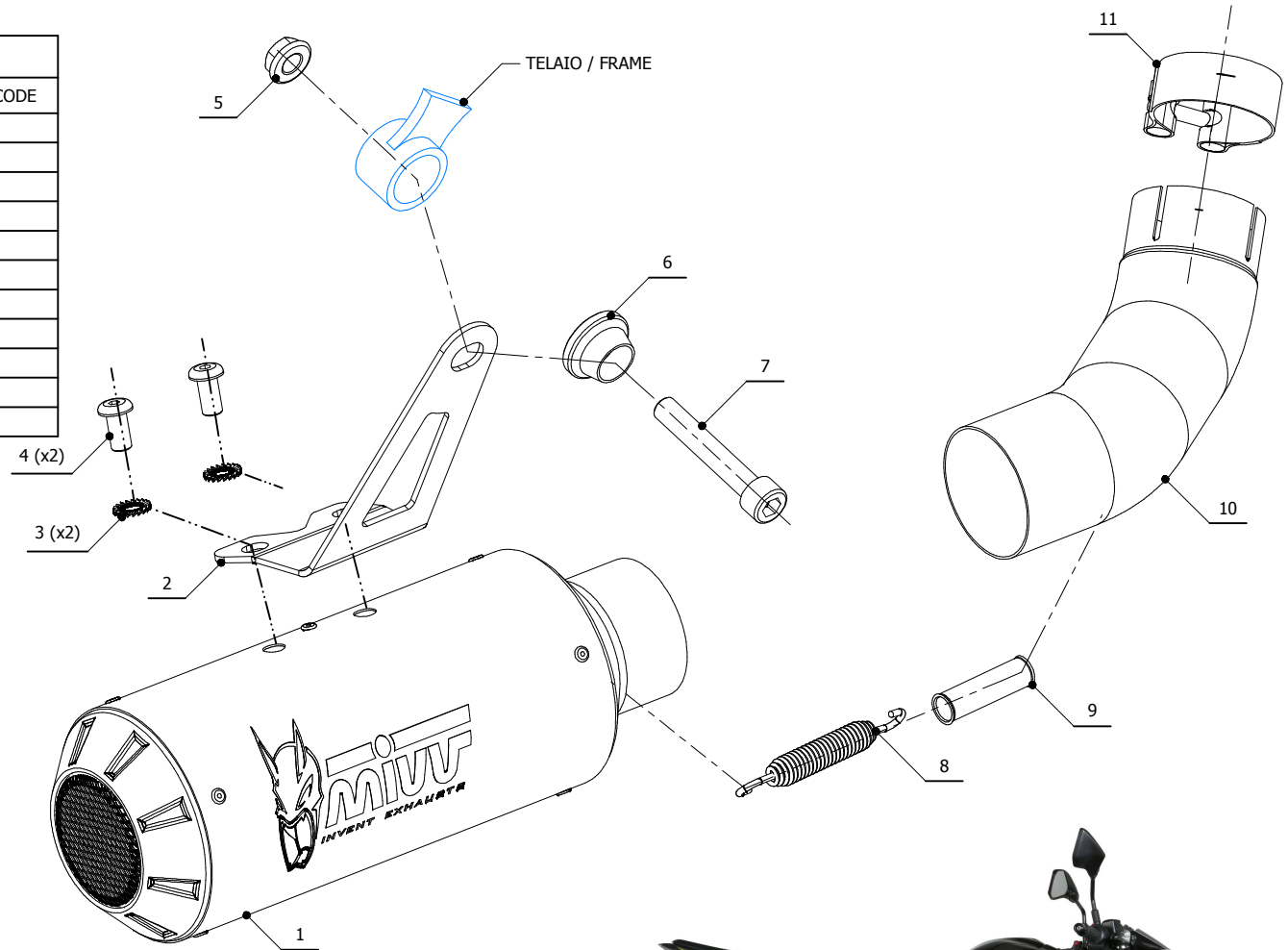
COVER IN ACCIAIO / STEEL COVER
50.CR.037.0



IMPIANTO ELIMINA KAT / NO KAT PIPE

00.73.K.045.C1
for Z900 2017-2019

00.73.K.045.C2
for Z900 A2 2017-->



APPLICAZIONI / APPLICATIONS

CODICE / CODE	SILENZIATORE / MUFFLER	LOGO	TUBO / PIPE
K.045.LM3B	STEEL BLACK	LASER	INOX / ST. STEEL
K.045.LM3C	CARBONIO / CARBON FIBER	ALUMINIUM LABEL	
K.045.LM3X	INOX / ST. STEEL	LASER	