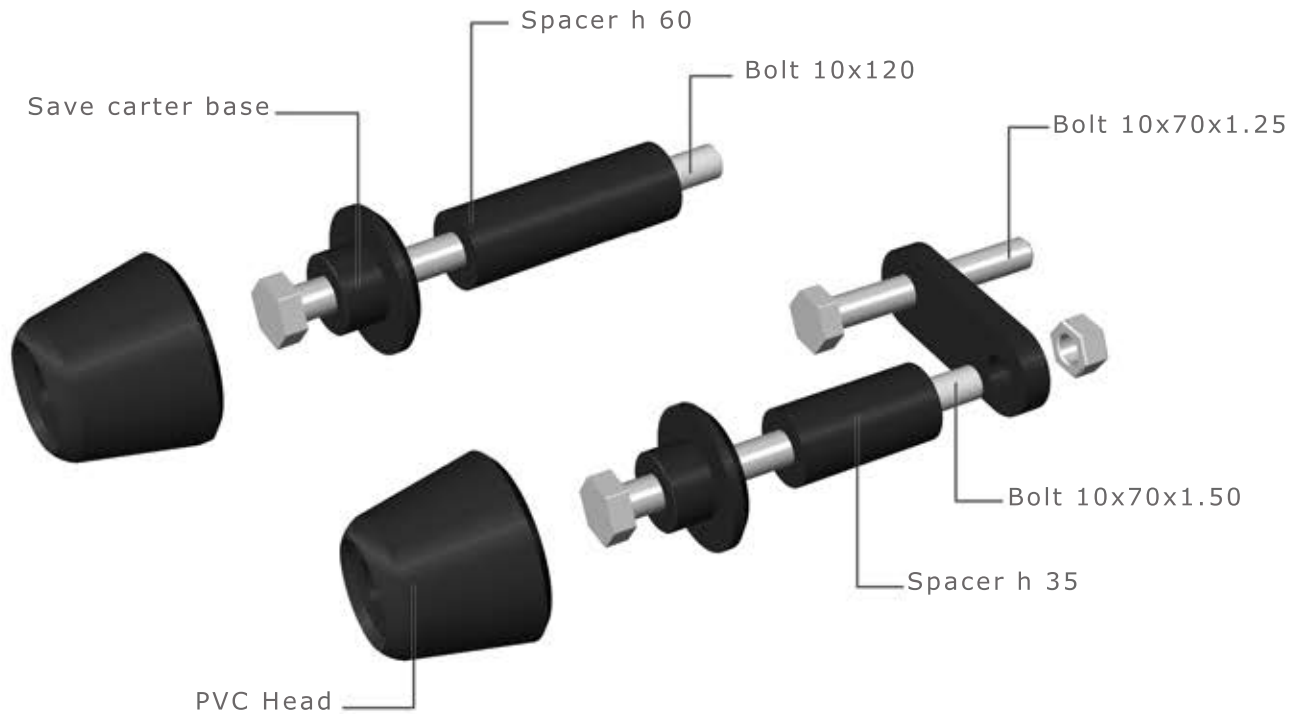


MOUNTING PROCEDURE**KIT SAVE CARTER
KAWASAKI ZX-6R '07****KP6101/07**WWW.BARRACUDAMOTO.COM**KIT**

X2. PVC HEAD
X2. SAVE CARTER BASE
X1. SPACER 35 MM
X1. SPACER 60 MM
X1. BRACKET
X1. BOLT 10X70X1.25
X1. BOLT 10X70X1.50
X1. BOLT 10X120
X1. NUT DIAMETER 10



FIND THE SPECIFIC POINT OF ATTACK TO THE CHASSIS BEFORE THE MOUNTING SO TO HAVE THE RIGHT DISTANCE FROM THE MOTORBIKE; FIX THE PVC HEAD OF SAVE CARTER ONLY AFTER LOCK ALL THE KIT