

# HYPERPRO

## STEERING DAMPER MOUNTING KIT

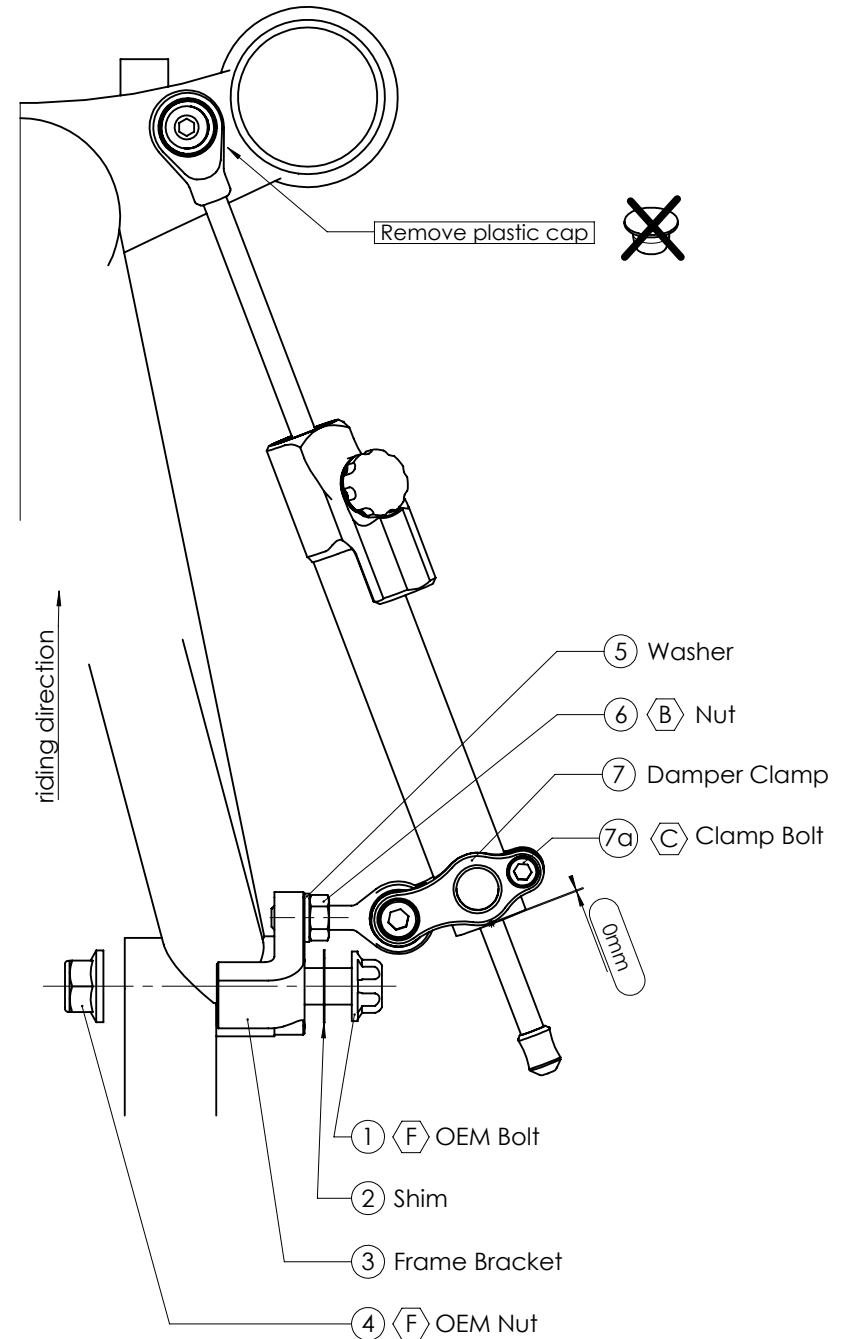
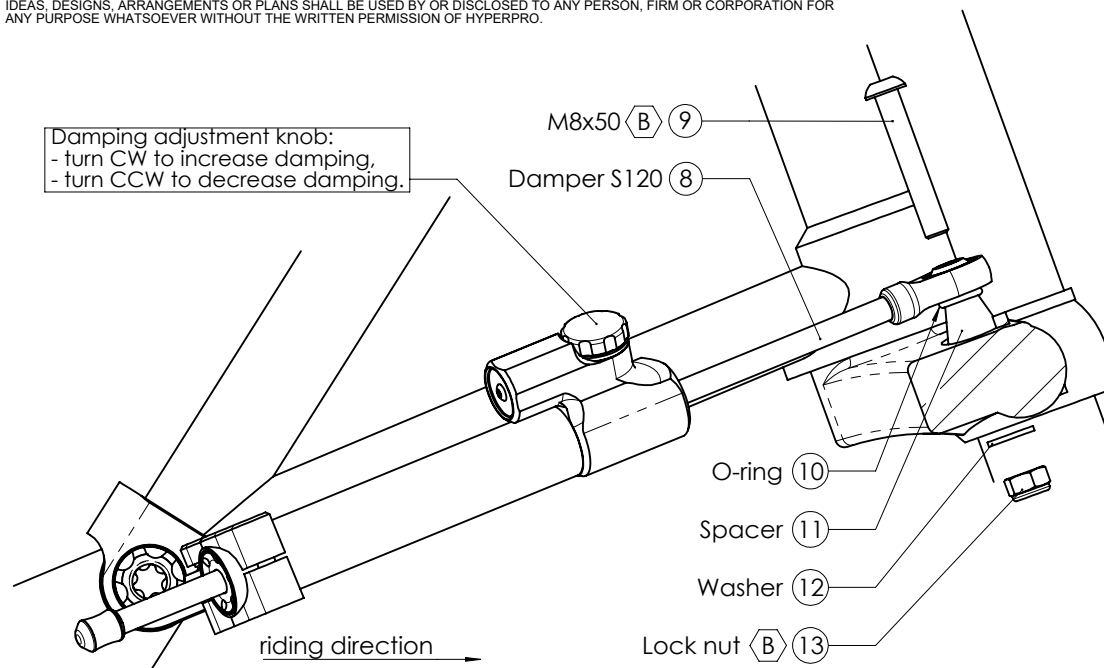
for

### Triumph Bonneville T120 Model 2016->

#### MK-TR12-S001 PART LIST

SD stroke 120	1	Washer M8 $\varnothing$ 16	2
Damper Clamp [MP-DB0002]	1	Shim 24x12x0.25	1
Frame Bracket [MP-FRMK34]	1	-	-
Spacer [MP-SP0024]	1	-	-
O-ring	1	-	-
M8x50 Button head	1	-	-
Nut M8	1	-	-
Lock nut M8	1	-	-

ALL IDEAS, DESIGNS ARRANGEMENTS AND PLANS INDICATED OR REPRESENTED BY THIS DRAWING ARE OWNED BY HYPERPRO AND WERE CREATED, EVOLVED AND DEVELOPED FOR USE ON AND IN CONNECTION WITH THE SPECIFIC PROJECT. NONE SUCH IDEAS, DESIGNS, ARRANGEMENTS OR PLANS SHALL BE USED BY OR DISCLOSED TO ANY PERSON, FIRM OR CORPORATION FOR ANY PURPOSE WHATSOEVER WITHOUT THE WRITTEN PERMISSION OF HYPERPRO.



#### \* TORQUES

A: 5-9Nm / 44-80Lbs.In / 4.0-6.4Lbs.Ft

B: 14-17Nm / 124-150Lbs.In / 10.3-12.5Lbs.Ft

C: 6Nm / 53Lbs.In / 4.4Lbs.Ft

D: 8Nm / 70Lbs.In / 5.9Lbs.Ft

E: 55Nm / 486Lbs.In / 40Lbs.Ft

F: Factory torque (see owners manual)

# HYPERPRO

## STEERING DAMPER MOUNTING KIT

for

### Triumph Bonneville T120 Model 2016->

#### MK-TR12-S001 INSTALLATION INSTRUCTIONS

##### **In general:**

HYPERPRO can not be held responsible in any way for any form of physical, material, financial or other damage arising from use, assembly or overhaul of HYPERPRO products. HYPERPRO reserves the right to make changes without prior notice.

This product is ONLY TO BE INSTALLED BY A PROFESSIONAL MECHANIC.

This product is only to be used for the motorcycle brand, model and year stated specifically on top of the pages of this manual.

DO NOT attempt to install this product on motorcycles from any different brand, model and/or year than stated on the pages of this manual.

DO NOT use this kit for cars, boats, jet skis, snowmobiles, ATV's, aircraft, hovercrafts or any other vehicle and/or purpose.

HYPERPRO steering dampers are FOR RACE USE ONLY, NOT FOR HIGHWAY USE!

##### **Before installation:**

- Please read the entire manual carefully before starting the installation!
- Check if you have all the tools required. Good tools are a must.
- Protect your bike at the most important places in and around the work area (e.g. tank, fairing, frame, etc.), with a blanket, towel or similar.

##### **During installation:**

- Check all operations and parts carefully before, during and after performing each step.
- Clean all surfaces that are required for fitting parts together or for applying self adhesives or loctite, thoroughly with contact cleaner or another degreaser, unless otherwise stated.
- Be careful not to damage or scratch any part of your bike.
- ALWAYS work relaxed and concentrated!! It is very easy to damage something or make a mistake.

##### **After installation:**

- Check and make sure that there is no contact between any part of the steering damper kit and any part of the motorcycle. The kit should not hit anything. Steering movement should not be limited by the steering damper. If the steering movement is limited, adjust the position of the tube in the clamp until steering movement is normal again. Do not forget to tighten the clamp bolt again!
- ALWAYS check the steering movement and feeling before each ride !
- FIRST RIDES: Start with the damper turned fully open (turn adjuster knob fully counter clockwise). Start adjusting in between rides with steps of MAX. 2 CLICKS (0.25 TURN) EACH TIME, until the damper is working satisfactory for your riding style.
- NEVER USE MAXIMUM SETTING, ALWAYS OPEN AT LEAST 2 CLICKS (0.25 TURN).

- WARNING ! DAMPER HAS AN ACTIVE / SPEEDSENSITIVE DAMPING SYSTEM;
  - Steering with NORMAL MOVEMENT should be FREE !!
  - Steering with FAST MOVEMENT should be CONTROLLED BY DAMPER !!
- HYPERPRO uses a special seal to reduce friction. The seal uses an oil film to work properly. It is normal that some oil can appear on the pistonrod.
- Damper works with oil: DAMPING CAN BE HARDER AT LOWER TEMPERATURES!

##### **Step 1: install the frame bracket**

install the frame bracket using:

- Shim (2)
- Frame bracket (3)

Loosen and remove the top right hand frame to engine bolt (1) and nut (4) from the bike.

Place the shim (2) on the bolt and use them to install the frame bracket (3) to the frame with the original nut. Tighten the bolt and nut to factory torque.

Screw the damper clamp (7) with the washer (5) and nut (6) in the frame bracket (3), until it just sticks out the back of the frame clamp. DO NOT tighten the nut (6) yet.

##### **Step 2: install the steering damper**

Install the steering damper assembly using:

- Steering damper (8)
- Bolt M8x50 (9)
- O-ring (10)
- Spacer (11)
- Washer (12)
- Lock nut (13)

Remove the plastic cap from the right side hole in the lower triple clamp.

Ensure that the clamp bolt (7a) of the damper clamp is pointing up. Shove the damper (8), with the end knob-side first, through the clamp until the ball joint can be mounted to the hole in the triple clamp. Use the bolt (9), O-ring (10), spacer (11), washer (12) and lock nut (13) in the correct order to mount the ball joint to the triple clamp.

Set the angle of the damper clamp (7) and tighten the nut (6) to a torque of approx. 14-17Nm/ 124-150Lbs.In/10.3-12.5Lbs.Ft.

Position the damper tube until the distance of 0mm stated on page 1 is reached, set the angle of the damper body, then tighten the clamp bolt (7a) to a torque of 6Nm/53Lbs.In/4.4Lbs.Ft.

Check if the damper's movement is not limited by the bearing joints at any position. Check if the damper does not touch anything (e.g. tank) when steering from left to right. Check if the bike can make it's full steering angle from left to right. Adjust the position of the damper in the damper clamp if improvement is necessary.