

HONDA MONKEY 125 '19-

M O U N T I N G I N S T R U C T I O N S

REF 3504

ABS FRONT PLATE

REF 3505

ALUMINUM FRONT PLATE



1 Person



15 min



EASY

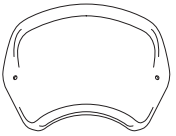
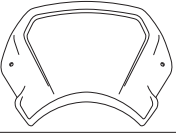







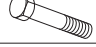






N° 10



ALLEN

N° 3
N° 5

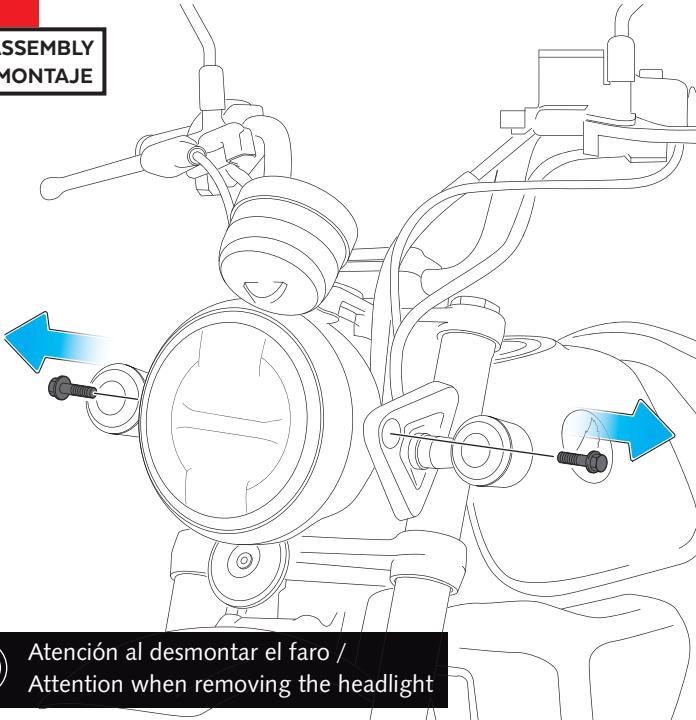
| ID | PIEZA/PART | DESCRIPCIÓN | DESCRIPTION | QTY | REF |
|----|---|---|---|-----|-----------------|
| 1 |  | Placa frontal ABS | ABS front plate | 1 | 3504J/C |
| |  | Placa frontal Aluminio | Aluminum front plate | | 3505P/N |
| 2 |  | Soporte derecho | Right support | 1 | SOPOR2P1-R-3504 |
| 3 |  | Soporte izquierdo | Left support | 1 | SOPOR2P1-L-3504 |
| 4 |  | Silentblock M5 | M5 silentblock | 2 | SILENBTM5-046/1 |
| 5 |  | Arandela nylon M5x1 | M5x1 nylon washer | 2 | ARNV0000000245 |
| 6 |  | Tapón Tornillo M5 | M5 screw cap | 2 | TAPON-----85 |
| 7 |  | Tornillo Allen M5x16 Ø11 ISO 7380 (Inox) | M5x16 Ø11 ISO 7380 Allen screw (Inox) | 2 | TORNI-IA----423 |
| 8 |  | Separador de silicona Ø8 x 2 (se suministra montado con pieza 2/3) | Ø8 x 2 silicon spacers (supplied already mounted on items 2/3) | 4 | ADHESI-GT-D8--- |
| 9 |  | Tornillo exagonal DIN933 M6x35 | DIN933 M6x35 screw | 2 | TORNI-D933--490 |
| 10 |  | Arandela metálica M6 DIN 125 | M6 DIN 125 washer | 2 | ARANDEPD125-054 |
| 11 |  | Casquillo Ø8,5 x Ø13 x 15 | Ø8,5 x Ø13 x 15 Arrowhead | 2 | CASQUI-M----614 |
| 12 |  | Ribete autoadhesivo: longitud de 190mm , 6,2 X 2,6mm | Ribete autoadhesivo: longitud de 190mm , 6,2 X 2,6mm | 1 | PERFIL-PVC-1048 |
| 13 |  | Kit adhesivos | Sticker set | 1 | 10535 |

HONDA MONKEY 125 '19-

INSTRUCCIONES DE MONTAJE - MOUNTING INSTRUCTIONS - MONTAGEANLEITUNG

1

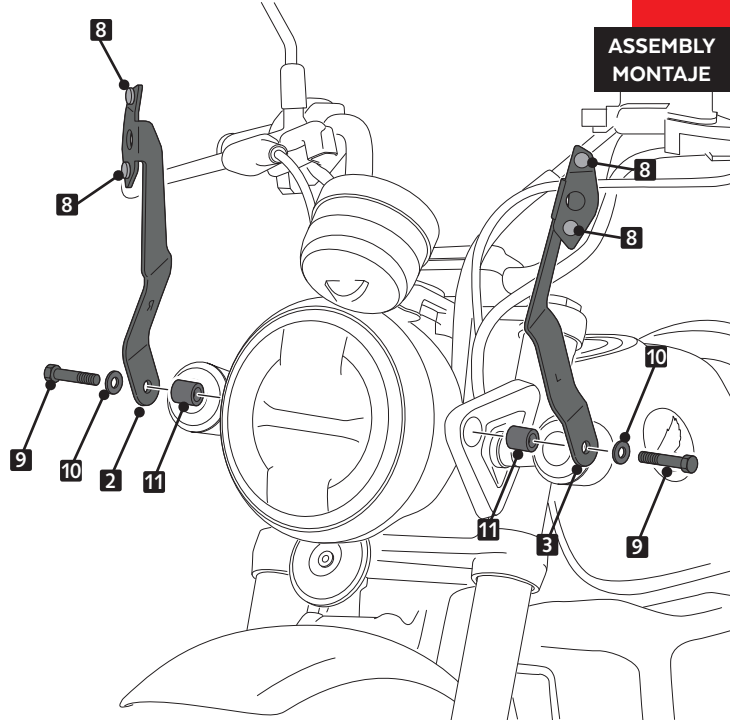
DISASSEMBLY
DESMONTAJE



! Atención al desmontar el faro /
Attention when removing the headlight

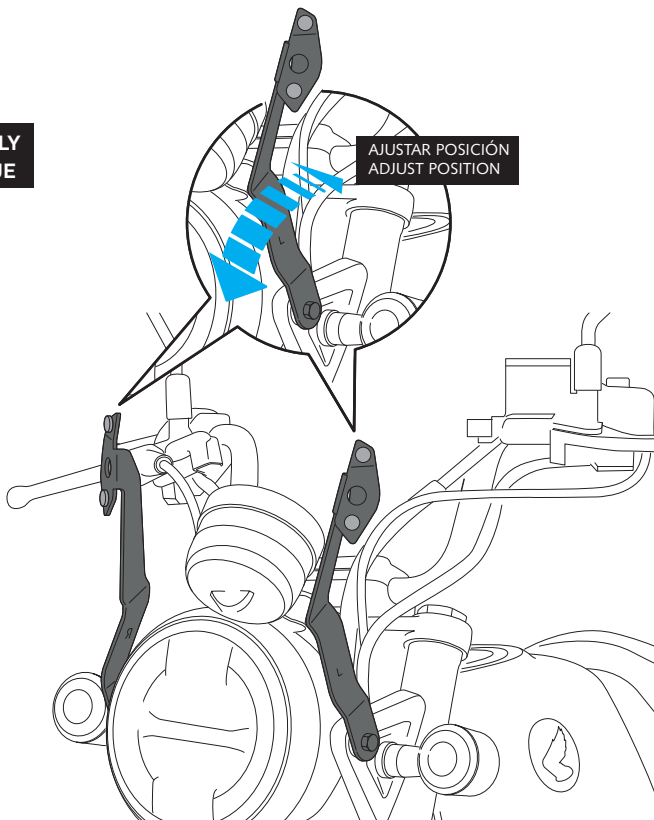
2

ASSEMBLY
MONTAJE



3

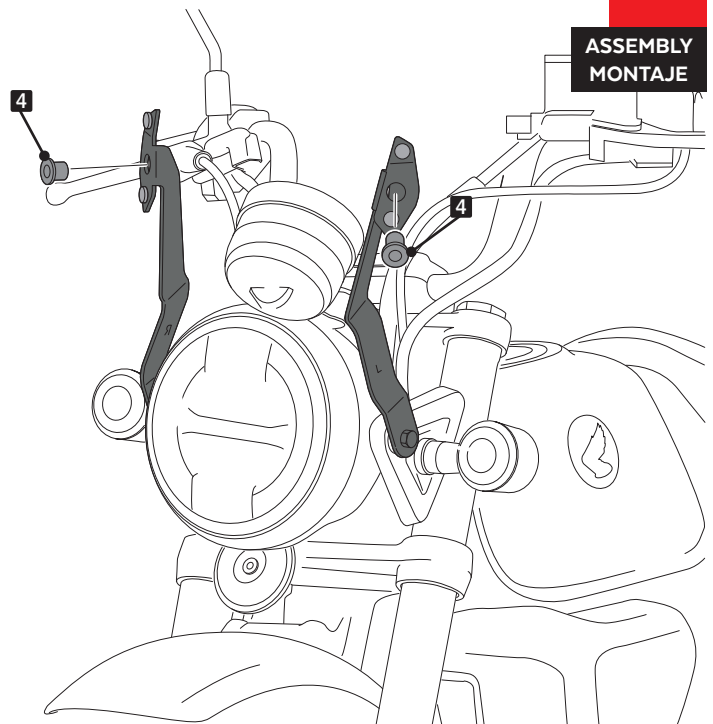
ASSEMBLY
MONTAJE



AJUSTAR POSICIÓN
ADJUST POSITION

4

ASSEMBLY
MONTAJE

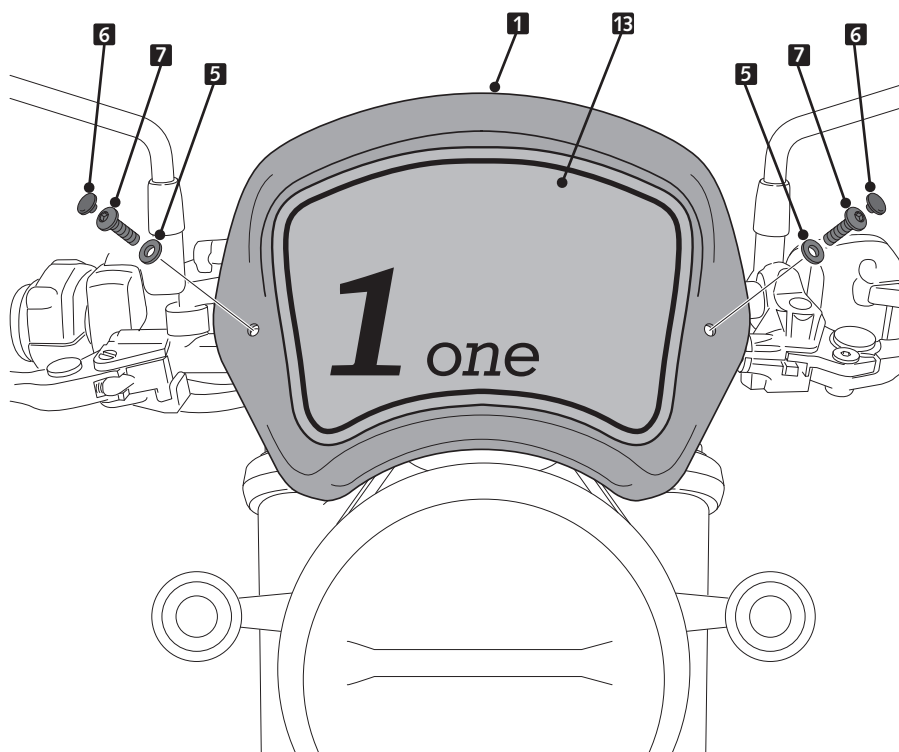


HONDA MONKEY 125 '19-

INSTRUCCIONES DE MONTAJE - MOUNTING INSTRUCTIONS - MONTAGEANLEITUNG

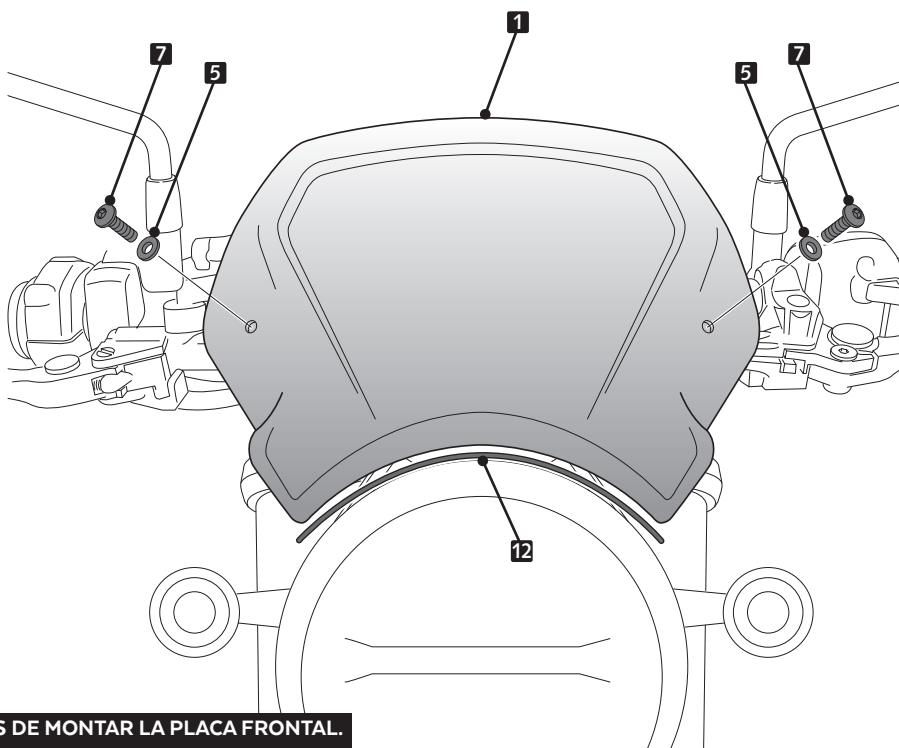
5

ASSEMBLY
MONTAJE



6

ASSEMBLY
MONTAJE



**PONER RIBETE ANTES DE MONTAR LA PLACA FRONTAL.
PLACE TRIM BEFORE MOUNTING THE FRONTAL PLATE.**