



EVOTECH®
P E R F O R M A N C E

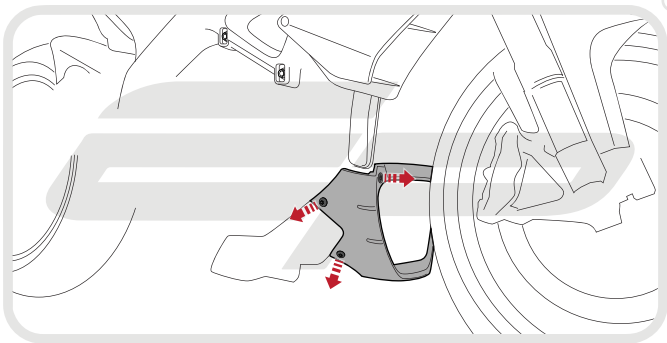
Installation Instructions

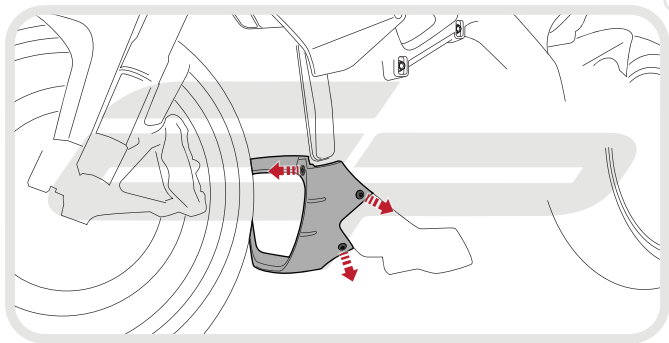
APRILIA TUONO V4 RADIATOR GUARD

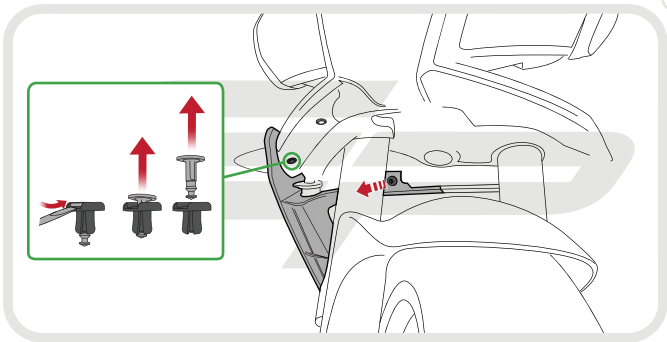
Product Reference - 8163

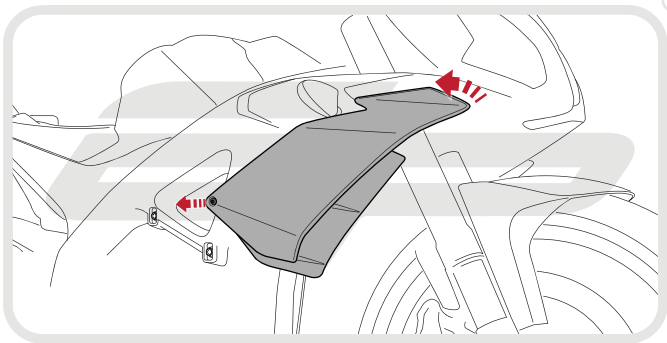
Kit Contents

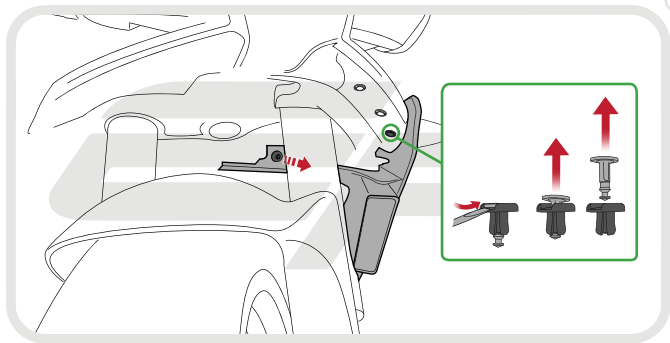
- A** 1 x Radiator Guard
- B** 1 x Neoprene Foam
- C** 2 x Mounting Brackets
- D** 2 x M6 - 16 Socket Button Head Screws
- E** 2 x M6 Washers
- F** 4 x M4 - 10 Socket Button Head Screws

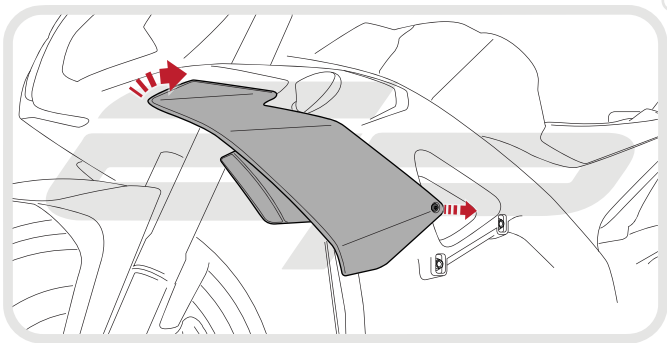


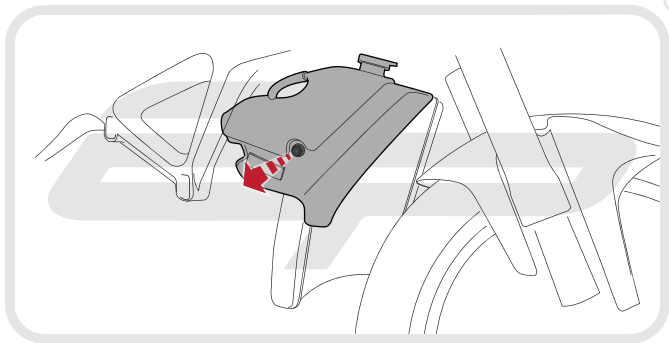


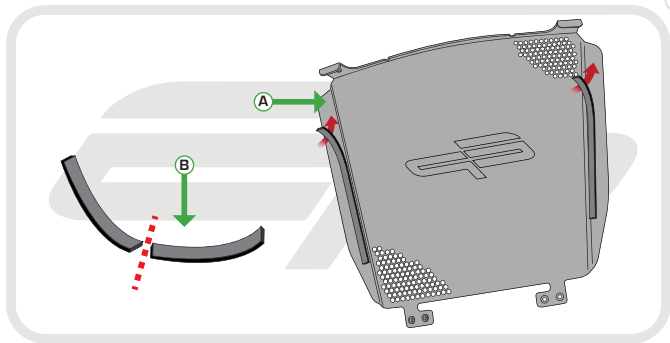




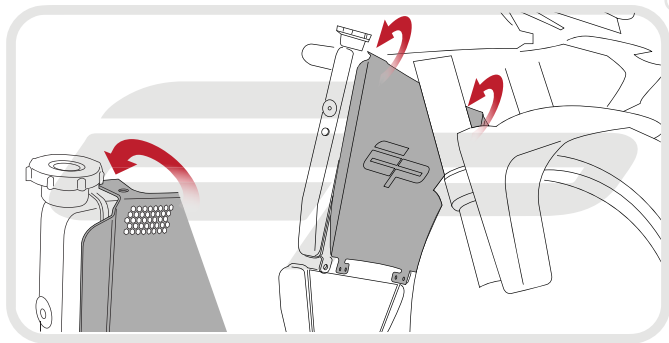




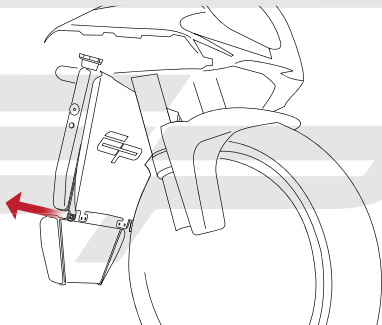


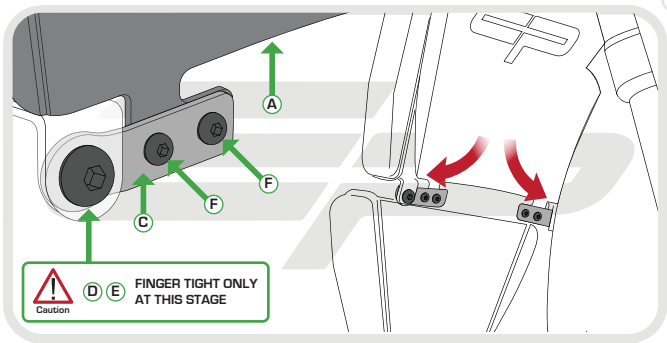


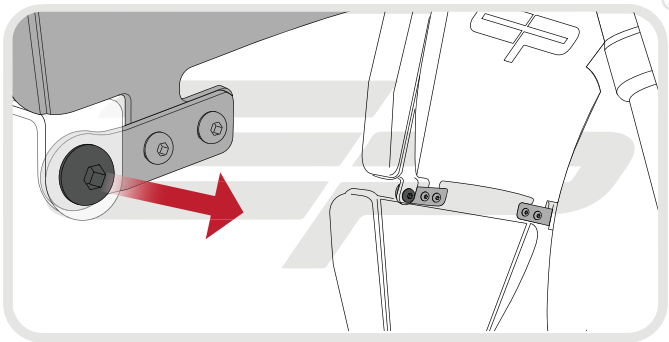
EVOTECH[®]
P E R F O R M A N C E

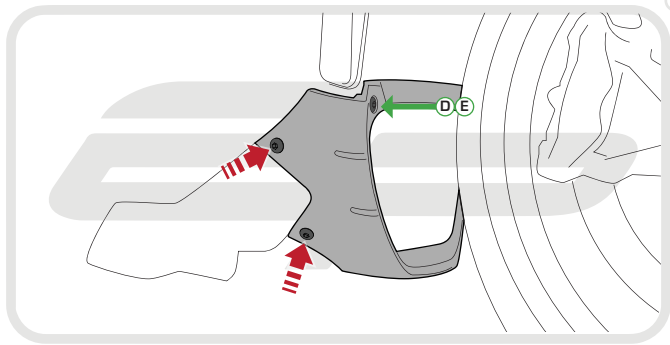


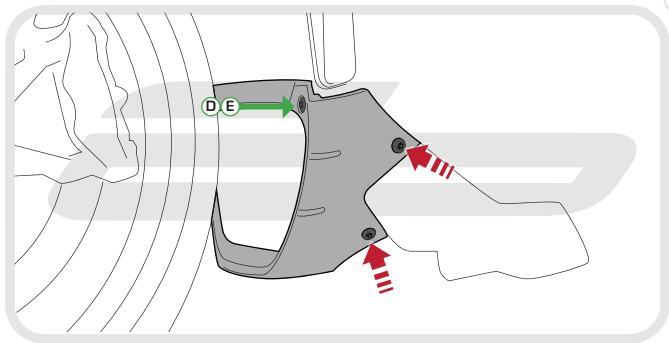
x2













Reverse Stages

7 - 3



ESSENTIAL CHECKS



It is recommended that periodic inspections are made to ensure that dirt and debris have not become trapped between the guard and the radiator/oil cooler. Such dirt and debris would reduce the cooling efficiency of the radiator/oil cooler.

It is recommended that periodic inspections are made to ensure that all fixings are fully tightened.



EVOTECH®
P E R F O R M A N C E

www.evotech-performance.com