



MODEL SUZUKI GSX-S 750

YEAR 2017 -->

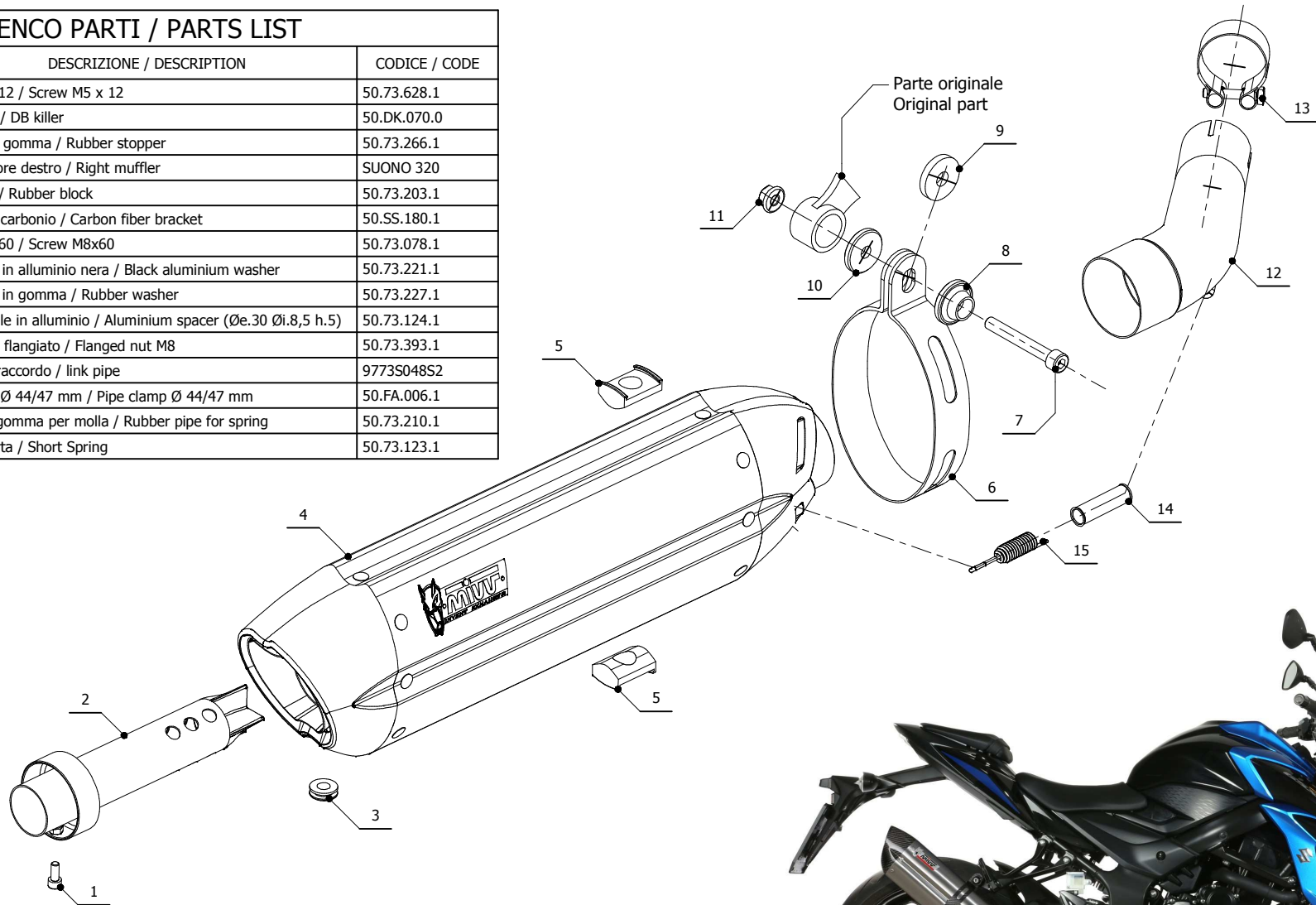
LINE SLIP ON

MUFFLER SUONO

SCHEMATIC

ELENCO PARTI / PARTS LIST

#	QTÀ / QTY	DESCRIZIONE / DESCRIPTION	CODICE / CODE
1	1	Vite M5x12 / Screw M5 x 12	50.73.628.1
2	1	DB killer / DB killer	50.DK.070.0
3	1	Tappo in gomma / Rubber stopper	50.73.266.1
4	1	Silenziatore destro / Right muffler	SUONO 320
5	2	Tassello / Rubber block	50.73.203.1
6	1	Staffa in carbonio / Carbon fiber bracket	50.SS.180.1
7	1	Vite M8x60 / Screw M8x60	50.73.078.1
8	1	Rondella in alluminio nera / Black aluminium washer	50.73.221.1
9	1	Rondella in gomma / Rubber washer	50.73.227.1
10	1	Distanziale in alluminio / Aluminium spacer (Øe.30 Øi.8,5 h.5)	50.73.124.1
11	1	Dado M8 flangiato / Flanged nut M8	50.73.393.1
12	1	Tubo di raccordo / link pipe	97735048S2
13	1	Fascetta Ø 44/47 mm / Pipe clamp Ø 44/47 mm	50.FA.006.1
14	1	Tubo in gomma per molla / Rubber pipe for spring	50.73.210.1
15	1	Molla corta / Short Spring	50.73.123.1



APPLICAZIONI / APPLICATIONS

CODICE / CODE	SILENZIATORE / MUFFLER	TUBO / PIPE	FASCETTA / CLAMP
S.048.L7	INOX (COPPE CARBONIO) / ST. STEEL (CARBON CAPS)	INOX / ST. STEEL	CARBONIO / CARBON FIBER
S.048.L9	STEEL BLACK		